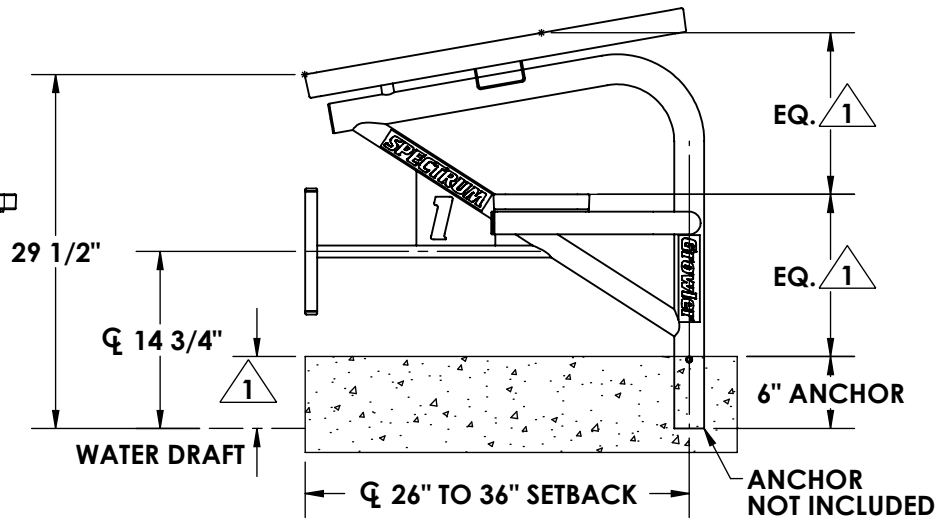
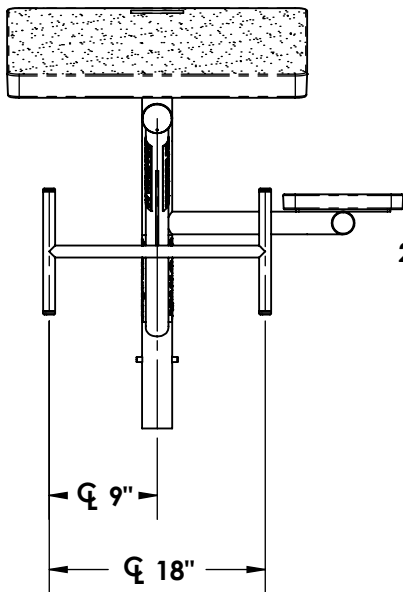
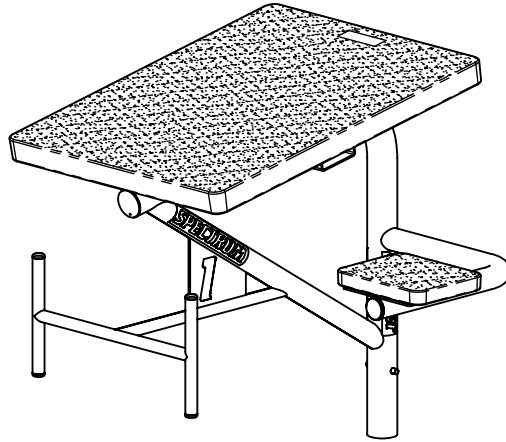
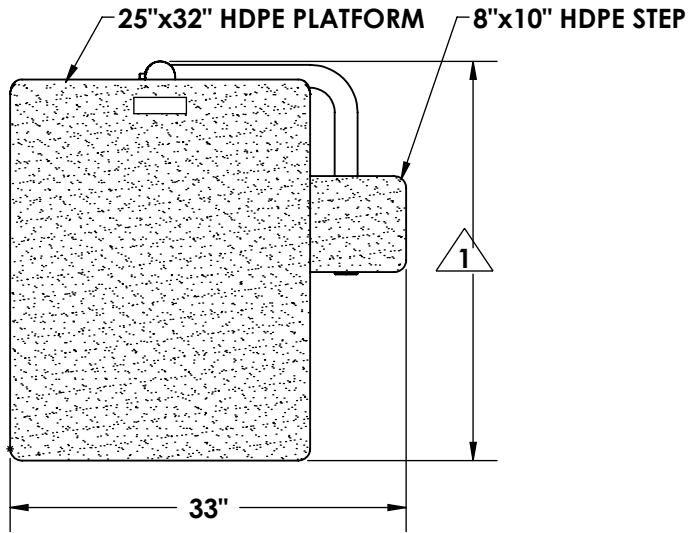


STARTLINE MODEL - GROWLER SIDE STEP SP



NOTE:

1 DIMENSIONS VARY WITH SPECIFIC APPLICATIONS.
SPECIFICATIONS ARE NOMINAL AND ARE SUBJECT TO CHANGE.
PLEASE CONTACT SPECTUM PRODUCTS FOR CUSTOM APPLICATIONS.



7100 Spectrum Lane
Missoula, Montana 59808
406.542.9781 * 800.791.8056
Fax: 406.542.1158
www.spectrumproducts.com

ENGINEERING DATA

PRODUCT:	GROWLER SIDE STEP SP
PRODUCT #:	21653-00
REVISION:	A
MATERIAL:	300 SERIES STAINLESS STEEL