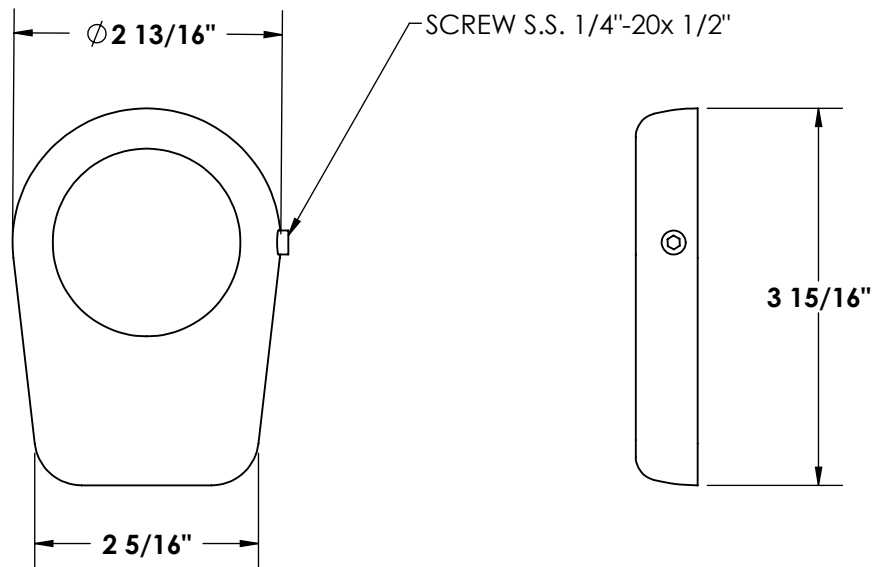
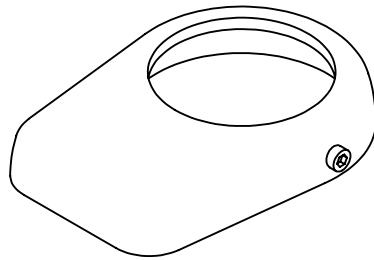


MODEL - ESCUTCHEON KEYHOLE 1.90"



NOTE:

1 DIMENSIONS VARY WITH SPECIFIC APPLICATIONS.
SPECIFICATIONS ARE NOMINAL AND ARE SUBJECT TO CHANGE.
PLEASE CONTACT SPECTRUM AQUATICS FOR CUSTOM APPLICATIONS.



7100 Spectrum Lane
Missoula, Montana 59808
406.542.9781 * 800.791.8056
Fax: 406.542.1158
www.spectrumproducts.com

ENGINEERING DATA

PRODUCT:	ESCUTCHEON KEYHOLE 1.90"
PRODUCT #:	35214
REVISION:	
MATERIAL:	300 SERIES STAINLESS STEEL